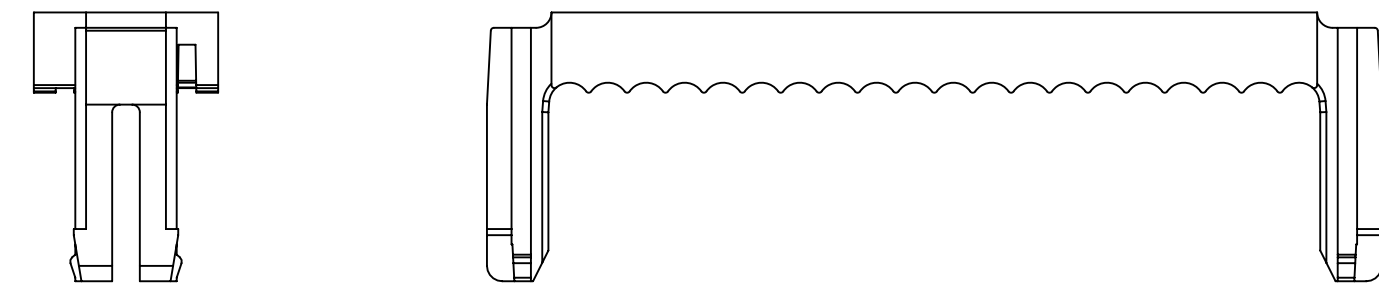


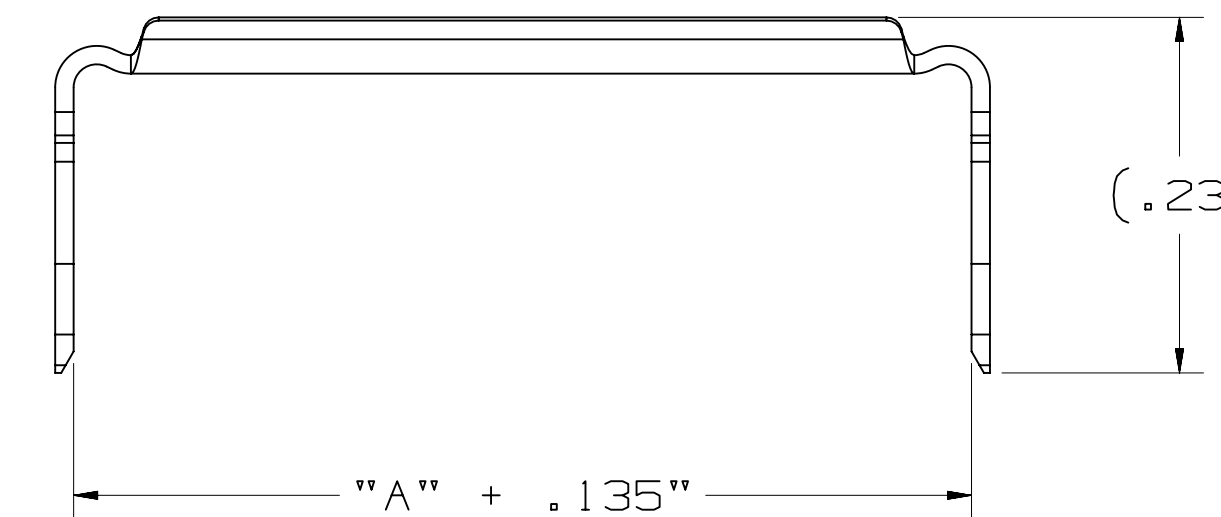
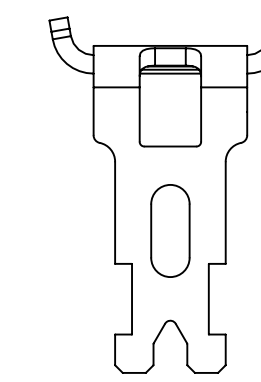
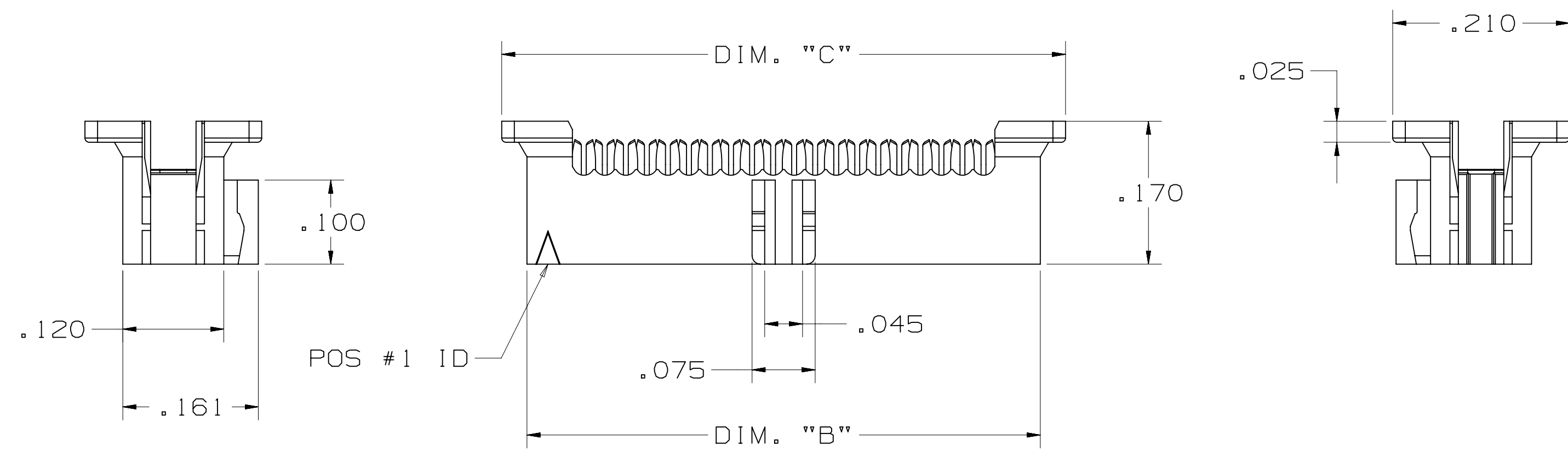
3M™ RIBBON CABLE WIREMOUNT SOCKET ASSEMBLY,
1.27mm (0.050") PITCH, 451 SERIES

TABLE 1

No. Positions	Dim "A"	Dim "B"	Dim "C"
4	.050	.210	.270
6	.100	.260	.320
8	.150	.310	.370
10	.200	.360	.420
12	.250	.410	.470
14	.300	.460	.520
16	.350	.510	.570
20	.450	.610	.670
30	.700	.860	.920



COVER



ACCESSORY - STRAIN RELIEF
PART NUMBER 3448-451XX

REV	ECO	ISSUE DATE AND DESCRIPTION	DRFT	CHKD
F	56988	SEP 24, 2014 REVISE PERFORMANCE CHART	JNC	SN
E	54514	MAY 07, 2014 ADD UL LOGO	SJS	SAN
D	51884	JAN 08, 2014 ADD DESIGN REF, UPDATE TITLE, ADD TS REF	SJS	SAN
C	50290	OCT 08, 2013 REVISE NOTES 1, 3, 8 & OPERATING TEMP.	JNC	SN
B	48635	JUL 12, 2013 MATCH TEXT FONTS & ADD NOTE 10	JNC	SN
A	46797	MAR 25, 2013 PRODUCTION RELEASE	JNC	SAN

78-5100-2396-9
78-5100-2437-1

DESIGN REFERENCE NEXT ASSEMBLY

DATE FEB 11, 2011 DATE FEB 11, 2011

APPROVAL DATE FEB 11, 2011

APPROVAL DATE FEB 11, 2011

APPROVAL DATE FEB 11, 2011

APPROVAL DATE FEB 11, 2011

APPROVAL DATE FEB 11, 2011

APPROVAL DATE FEB 11, 2011

APPROVAL DATE FEB 11, 2011

APPROVAL DATE FEB 11, 2011

APPROVAL DATE FEB 11, 2011

APPROVAL DATE FEB 11, 2011

APPROVAL DATE FEB 11, 2011

APPROVAL DATE FEB 11, 2011

© 3M COPYRIGT 2014
This document and the information it contains are 3M property and may not be reproduced or further distributed without 3M permission, or used or disclosed other than for 3M authorized purposes. All rights reserved.

TITLE
RIBBON CABLE SOCKET,
.05 X .05 PITCH, 451
SERIES

CAGE NUMBER D78-5100-2436-3 REV. F

MODEL

DET. YES NO SHT 2 OF 2

78-5100-2436-3
DRAWING NUMBER
F
REVISION
AM UTC-05:00
9:01
FEB 24/2014